

Manual Skincare Dispensers

PRODUCT DESCRIPTION

Unique range of 1 liter and 2 liter sealed cartridge dispensers that meet the distinct needs of any office or public facility environment.


WHERE TO USE

For exclusive use with SC Johnson Professional 2L Foam or 1L cartridge products.

METHOD OF USE

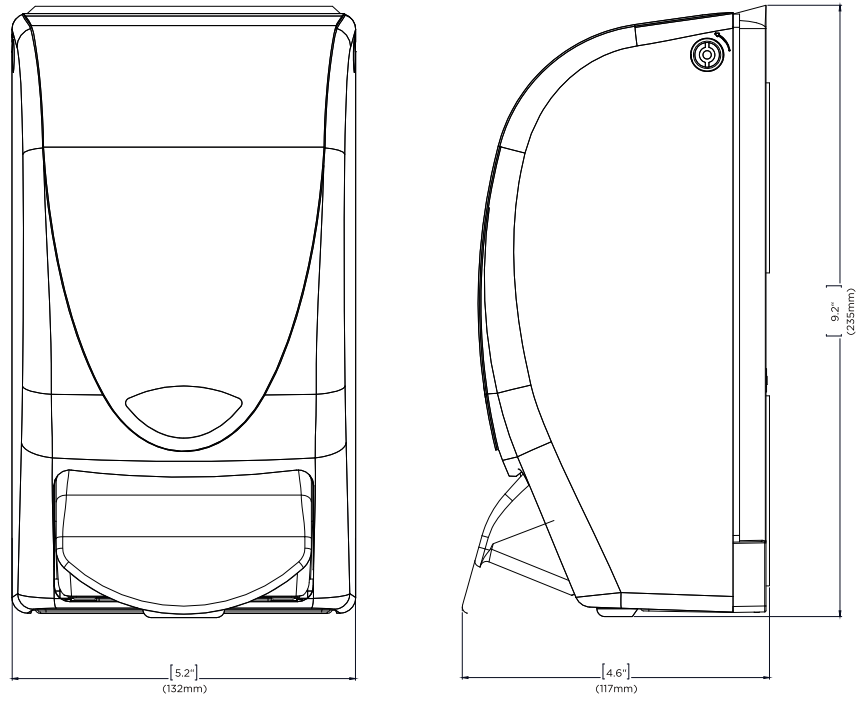
Large, 'easy-push' buttons dispense a controlled dose of product appropriate for the application required and empty cartridges are easily replaced in seconds.



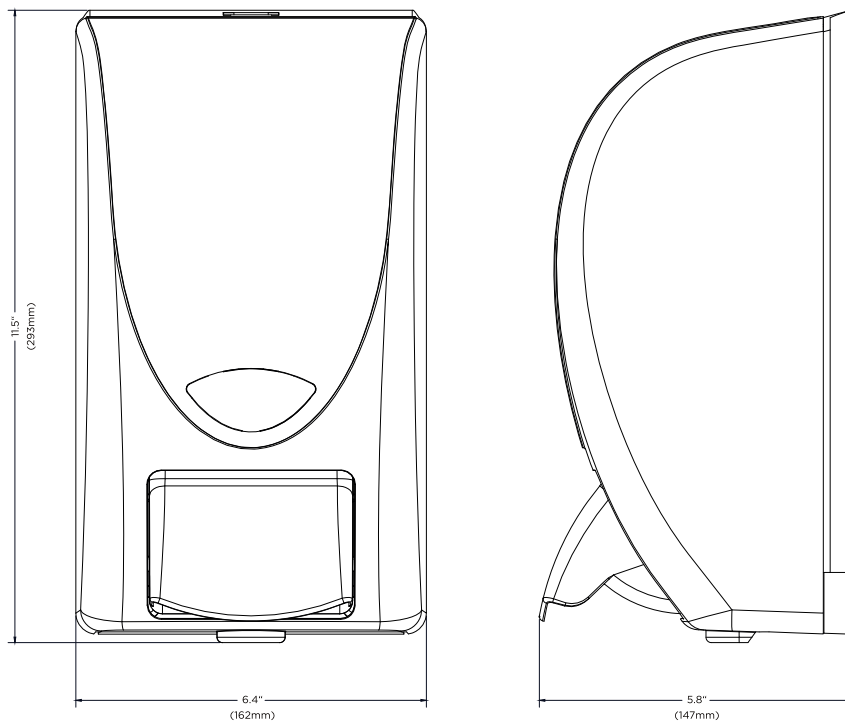
| FEATURES | BENEFITS |
|--|---|
| Robust and Long-Life | Dispensers are guaranteed against normal wear and tear, subject to correct installation, usage and dispenser care. Manual dispensers are warranted for their lifetime. Warranty applies only in the USA and to dispensers exclusively using SC Johnson Professional products. Other terms and conditions apply: warranty.scjp.com . |
| Robust Design | All SC Johnson Professional dispensers are manufactured from durable plastic components and rigorously tested for high usage environments, providing assurance of quality and longevity. |
| BioCote® Protected*  | Biocote silver ion-based technology effectively reduces bacteria, mold and fungi on the surface of Biocote® treated SC Johnson Professional® dispenser buttons within as little as 2 hours and achieves up to 99.99% reduction over a 24 hour period**. Biocote® maintains its antimicrobial protection for the lifetime of the dispenser button and will not wear off, wash off or leach out. Biocote® technology is not a substitute for good hand hygiene practices. |
| Large Push Buttons | Minimize the operation force required to allow easy use by hand or elbow; suitable in hygiene sensitive areas. |
| Fixed Product Dose | Delivers the exact amount required, controlling usage and reducing waste. |
| Unique Locking Mechanism | Helps prevent unauthorized access, pilferage and product contamination. |
| Simple Cartridge Replacement | Designed for exclusive use with SC Johnson Professional skin care system products to enable cartridges to be replaced in seconds, reducing maintenance time and costs. |
| Hygienic, Airless Cartridges | The ultrasonically sealed cartridge and pump mechanisms prevent the ingress of air into the cartridge during use to help prevent product contamination and ensure 'fresh' product is dispensed every time. |
| Minimal Waste | The air-tight cartridges are designed to collapse to minimize product waste. |
| Replacement Parts Available | In case of vandalism or accidental damage, replacements parts can be provided allowing for repairs without taking the dispenser off the wall. |

Manual Skincare Dispensers

1 LITER MANUAL DISPENSER



2 LITER MANUAL FOAM DISPENSER



Manual Skincare Dispensers

DISPENSER CARE

- DO clean with a damp cloth
- DO NOT use abrasive cleaners
- DO NOT use solvent-based cleaners
- DO NOT use caustic or acid-based cleaners
- DO NOT expose the unit to direct sunlight, UV can damage its high quality finish
- DO NOT expose the unit to extreme temperatures above 104°F or below 40°F

LIFETIME WARRANTY

SCJ Professional Manual Dispensers are warranted for their lifetime to be free from defects in materials and workmanship under normal use or the original purchasing end customer may be eligible to receive a free replacement dispenser or part(s). Warranty applies only to dispensers installed in the end customer's facility that are exclusively using SC Johnson Professional products. Warranty does not cover dispensers purchased from unauthorized distributors. End customers must register the dispensers. Other terms and conditions apply and eligibility is subject to verification. For the full terms and conditions visit warranty.scjp.com.

Warranty provided by SC Johnson Professional USA, Inc. ("SCJP"), 2815 Coliseum Centre Dr. #600, Charlotte, NC 28217, United States of America. THIS WARRANTY IS IN LIEU OF ALL OTHER WARRANTIES, EXPRESS OR IMPLIED, INCLUDING ANY WARRANTY OF MERCHANTABILITY OR FITNESS FOR A PARTICULAR PURPOSE. Our liability shall not exceed the actual amount paid for the dispenser. We shall not be liable for any consequential, incidental, special, or punitive damages. End customers are deemed to have accepted the above warranty and limitation of liability. They cannot be changed verbally or in writing, except in a written agreement signed by SCJP.

* BioCote® is a registered trademark of Biocote Limited ** Efficacy is independently validated by ISO methods

PACK SIZES

| STOCK CODE | DISPENSER | COLOR | CARTRIDGE CAPACITY | CASE QTY | TO USE WITH |
|------------|---|-----------------------------|--------------------|----------|---|
| 91128 | Proline 1L Dispenser Black | Black | 1 Liter | 15 | Universal for All 1 Liter Manual SC Johnson Professional Product Cartridges |
| WHB1LDS | Proline 1L Dispenser White | White | 1 Liter | 15 | |
| TPW1LDS | Proline 1L Dispenser Transparent White w/Chrome | Transparent White w/ Chrome | 1 Liter | 15 | |
| TPB1LDS | Proline 1L Dispenser Transparent Black w/Chrome | Transparent Black w/ Chrome | 1 Liter | 15 | |
| WYH1LDS | Kid's Wash Dispenser | Green | 1 Liter | 15 | |
| BLK2LDP | Proline 2L FOAM Dispenser Black | Black | 2 Liter | 8 | For 2 Liter Foam SC Johnson Professional Product Cartridges |

SC Johnson Professional USA, Inc.
2815 Coliseum Centre Dr.
600, Charlotte, NC 28217
Telephone: +1 800 248 7190
www.scjp.com

This information and all further technical advice is based upon our present knowledge and experience. However, it implies no liability or other legal responsibility on our part, including with regard to existing third party intellectual property rights, especially patent rights. In particular, no warranty, whether express or implied, or guarantee of product properties in the legal sense is intended or implied. We reserve the right to make any changes according to technological progress or further developments.
© SC Johnson Professional USA, Inc.

