

# TECHNICAL DATA SHEET

## smart essence

Electronic Touchless Roll Towel Dispenser



**Product Code: T8400  
T8490**

### SIMPLE TO USE

Conveniently placed keypad for adjustable paper length (8", 12", 16" and delay (0, 1½, 3 seconds)

### UNIVERSAL

Dispenses any paper quality including 100% recycled paper

### RELIABLE

Quick paper delivery  
Industry leading battery life

### COMPACT

Up to 25% smaller than other leading electronic dispensers

**Installation:** Wall mounted

**Closure:** With lock

**Color:** Transparent Black Pearl (TBK)  
Transparent Arctic Blue (TBL)

### Dimensions:

14.4 in (L) x 11.8 in (W) x 9.1 in (D)

### Capacity:

(1) 8" wide roll; 8" diameter

**Core Diameter:** 1.5 in

**Case Weight:** 4.1 lbs

### Materials:

Base: break resistant plastic  
Cover: break resistant plastic

### Standard Product Codes:

T8400TBK/TBL, T8490TBK/TBL

### Batteries Required:

Uses 4 D-Cell Alkaline Batteries

### Features Also Available: (please call customer care)

Replaceable Covers

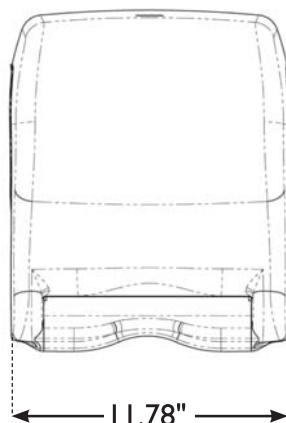
Replacement Keys and Lock Fingers

2" hub adapters (2) - X100960

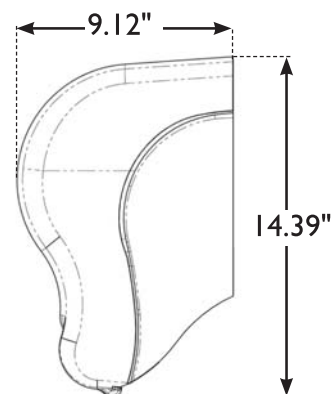
Mercury Free "Green" D-Cell Batteries (4 pk):

XT100886

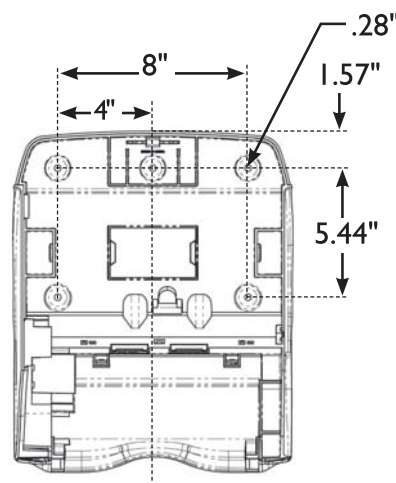
### FRONT (in)



### SIDE (in)



### BACK (in)



See Next Page for mm

**San Jamar**  
555 Koopman Lane  
Elkhorn, Wisconsin 53121  
USA  
T: +1.262.723.6133  
F: +1.262.723.4204  
info@sanjamar.com  
www.sanjamar.com

**San Jamar Canada**  
3300 Bloor Street West  
Center Tower, 11th Floor  
Suite 3140 Toronto, ON  
M8X 2X3  
CANADA  
T: +1.416.760.7367  
F: +1.416.207.2071  
canada@sanjamar.com

**San Jamar Europe**  
Schoorstraat 26a, bus 1  
2220 Heist op-den Berg  
BELGIUM  
T: +32 1522 8140  
F: +32 1522 8148  
emea@sanjamar.com

**San Jamar México**  
Av. Universidad #1377-701  
Colonia Axotla CP 01030  
Del. Alvaro Obregón  
MEXICO, D.F.  
T: +52 (55) 3626 0772  
F: +52 (55) 5273 4495  
mexico@sanjamar.com

 **san jamar**  
smart. safe. sanitary.

# TECHNICAL DATA SHEET

# smart essence

Electronic Touchless Roll Towel Dispenser



**Product Code: T8400  
T8490**

## SIMPLE TO USE

Conveniently placed keypad for adjustable paper length (8", 12", 16" and delay (0, 1/2, 3 seconds)

## UNIVERSAL

Dispenses any paper quality including 100% recycled paper

## RELIABLE

Quick paper delivery  
Industry leading battery life

## COMPACT

Up to 25% smaller than other leading electronic dispensers

**Installation:** Wall mounted

**Closure:** With lock

**Color:** Transparent Black Pearl (TBK)  
Transparent Arctic Blue (TBL)

## Dimensions:

36.5 cm (L) x 29.9 cm (W) x 23.2 cm (D)

## Capacity:

(1) 20cm wide roll; 20cm diameter

**Core Diameter:** 3.8cm

**Case Weight:** 1.9 kgs

## Materials:

Base: break resistant plastic  
Cover: break resistant plastic

## Standard Product Codes:

T8400TBK/TBL, T8490TBK/TBL

## Batteries Required:

Uses 4 D-Cell Alkaline Batteries

## Features Also Available: (please call customer care)

Replaceable Covers

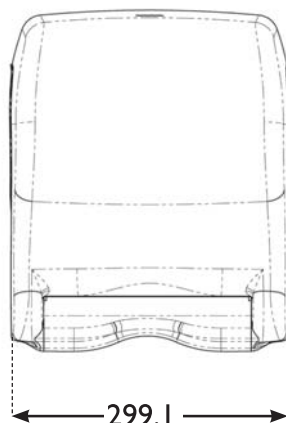
Replacement Keys and Lock Fingers

2" hub adapters (2) - X100960

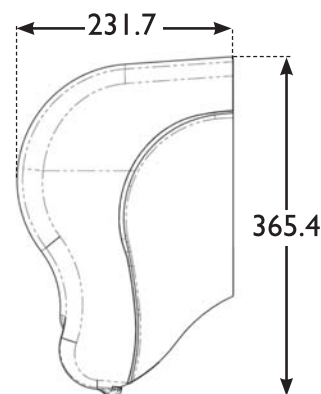
Mercury Free "Green" D-Cell Batteries (4 pk):

XT100886

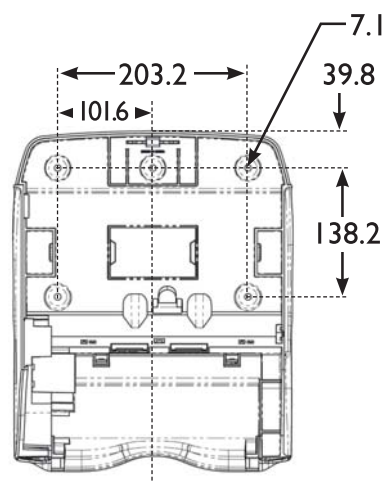
## FRONT (mm)



## SIDE (mm)



## BACK (mm)



**San Jamar**  
555 Koopman Lane  
Elkhorn, Wisconsin 53121  
USA  
T: +1.262.723.6133  
F: +1.262.723.4204  
info@sanjamar.com  
www.sanjamar.com

**San Jamar Canada**  
3300 Bloor Street West  
Center Tower, 11th Floor  
Suite 3140 Toronto, ON  
M8X 2X3  
CANADA  
T: +1.416.760.7367  
F: +1.416.207.2071  
canada@sanjamar.com

**San Jamar Europe**  
Schoorstraat 26a, bus 1  
2220 Heist op-den Berg  
BELGIUM  
T: +32 1522 8140  
F: +32 1522 8148  
emea@sanjamar.com

**San Jamar México**  
Av. Universidad #1377-701  
Colonia Axotla CP 01030  
Del. Alvaro Obregón  
MEXICO, D.F.  
T: +52 (55) 3626 0772  
F: +52 (55) 5273 4495  
mexico@sanjamar.com

 **san jamar**  
smart. safe. sanitary.