

# TECHNICAL DATA SHEET

## Tear-N-Dry

### Product Code: T1300

Molded of styrene and high impact polystyrene resin. One piece door construction. One piece back construction. Door is mounted to back with pivot posts and secured with replaceable locking fingers. Capacity 8" diameter, 8" wide hard wound roll towel.

**Installation:** Wall mounted

**Closure:** With lock

**Color:** Black Pearl, Arctic Blue

### Dimensions:

16.5" (L) x 11.75" (W) x 9.25" (D)

### Capacity:

(1) 8" wide roll; 8" diameter and 4" stub roll

**Core Diameter:** 1.5"

**Case Weight:** 6.0 lbs

### Materials:

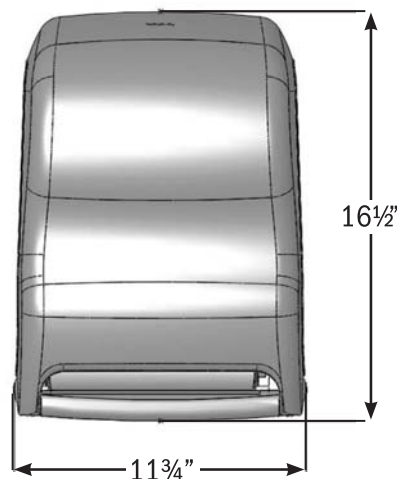
Base : break resistant plastic  
Cover: break resistant plastic

### Standard Product Codes:

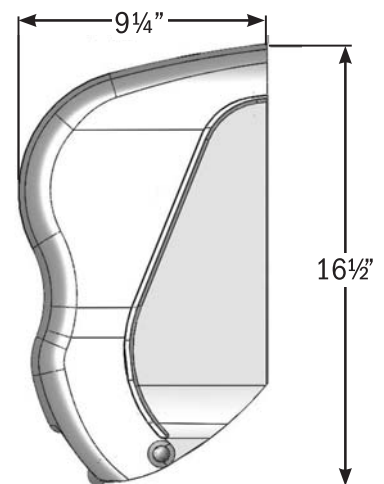
T1300TBK, T1300TBL, T1300WHCL



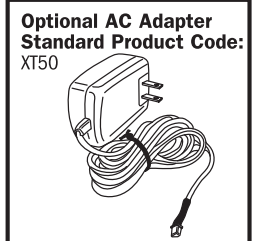
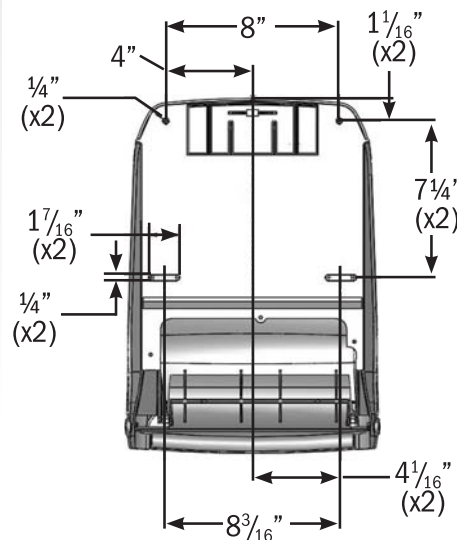
### FRONT (inches)



### SIDE (inches)



### BACK (inches)



See next page for mm

SAN JAMAR  
555 Koopman Lane  
Elkhorn, Wisconsin 53121 USA  
T: (262) 723-6133  
F: (262) 723-4204  
Customer Care: (800) 248-9826  
E-Mail: Sanjamar@sanjamar.com  
www.sanjamar.com

SAN JAMAR EUROPE, INC  
Schoorstraat 26A, Bus 1  
B-2220 Heist-Op-Den-Berg  
BELGIUM  
T: +32(0)1522 8140  
F: +32(0)1522 8148  
E-Mail: Sjeurope@sanjamar.com

SAN JAMAR Mexico, S de RL de CV  
Prolongación Av. San Antonio  
No. 135 col. San Pedro de los Pinos  
Delagación Alvaro Obregón  
C.P. 01180 en México, DF MEXICO  
T: +52 (55) 3626 0772  
F: +52 (55) 5273 4495  
E-Mail: sjmexico@sanjamar.com

**SAN JAMAR**  
Smart ♦ Safe ♦ Sanitary

## TECHNICAL DATA SHEET

# Tear-N-Dry

### Product Code: T1300

Molded of styrene and high impact polystyrene resin. One piece door construction. One piece back construction. Door is mounted to back with pivot posts and secured with replaceable locking fingers. Capacity 8" diameter, 8" wide hard wound roll towel.

**Installation:** Wall mounted

**Closure:** With lock

**Color:** Black Pearl, Arctic Blue

### Dimensions:

41.9 cm (L) x 29.8 cm (W) x 23.5 cm (D)

### Capacity:

(1) 20.3cm wide roll; 8" diameter and 4" stub roll

**Core Diameter:** 3.8cm

**Case Weight:** 6.0 lbs

### Materials:

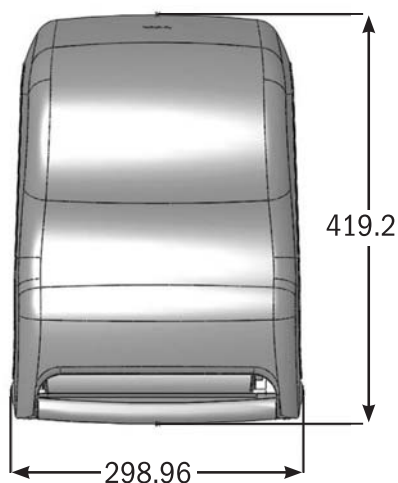
Base : break resistant plastic

Cover: break resistant plastic

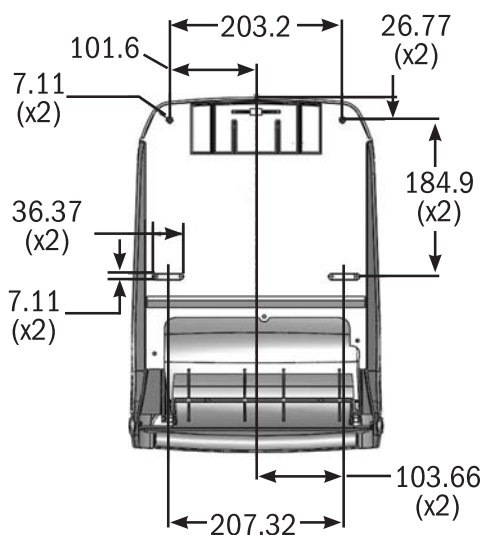
### Standard Product Codes:

T1300TBK, T1300TBL, T1300WHCL

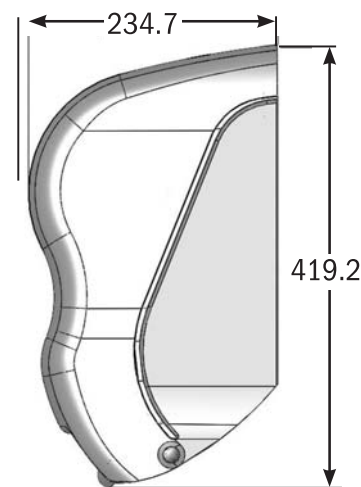
### FRONT (mm)



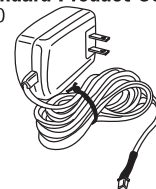
### BACK (mm)



### SIDE (mm)



Optional AC Adapter  
Standard Product Code:  
XT50



SAN JAMAR  
555 Koopman Lane  
Elkhorn, Wisconsin 53121 USA  
T: (262) 723-6133  
F: (262) 723-4204  
Customer Care: (800) 248-9826  
E-Mail: Sanjamar@sanjamar.com  
www.sanjamar.com

SAN JAMAR EUROPE, INC  
Schoorstraat 26A, Bus 1  
B-2220 Heist-Op-Den-Berg  
BELGIUM  
T: +32(0)1522 8140  
F: +32(0)1522 8148  
E-Mail: Sjeurope@sanjamar.com

SAN JAMAR Mexico, S de RL de CV  
Prolongación Av. San Antonio  
No. 135 col. San Pedro de los Pinos  
Delagación Alvaro Obregón  
C.P. 01180 en México, DF MEXICO  
T: +52 (55) 3626 0772  
F: +52 (55) 5273 4495  
E-Mail: sjmexico@sanjamar.com

**SAN JAMAR**  
Smart ♦ Safe ♦ Sanitary

# TECHNICAL DATA SHEET

## Oceans<sup>®</sup> Tear-N-Dry



### Product Code: T1390

Molded of styrene and high impact polystyrene resin. One piece door construction. One piece back construction. Door is mounted to back with pivot posts and secured with replaceable locking fingers. Capacity 8" diameter, 8" wide hard wound roll towel.

**Installation:** Wall mounted

**Closure:** With lock

**Color:** Black Pearl, Arctic Blue

### Dimensions:

16.5" (L) x 11.75" (W) x 9.25" (D)

### Capacity:

(1) 8" wide roll; 8" diameter and 4" stub roll

**Core Diameter:** 1.5"

**Case Weight:** 6.0 lbs

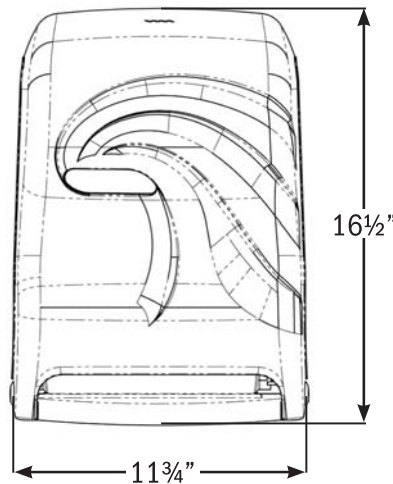
### Materials:

Base : break resistant plastic  
Cover: break resistant plastic

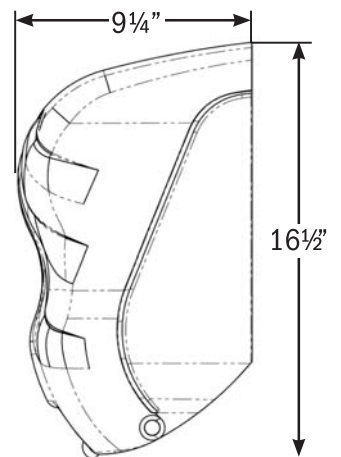
### Standard Product Codes:

T1390TBK, T1390TBL, T1390WS

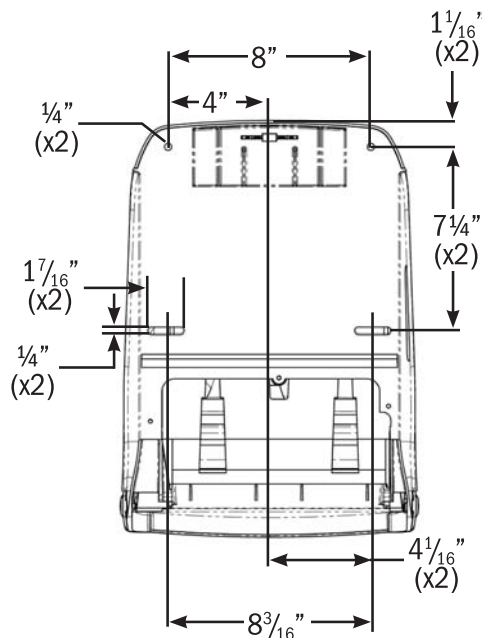
### FRONT (inches)



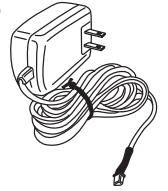
### SIDE (inches)



### BACK (inches)



Optional AC Adapter  
Standard Product Code:  
XT50



See next page for mm

SAN JAMAR  
555 Koopman Lane  
Elkhorn, Wisconsin 53121 USA  
T: (262) 723-6133  
F: (262) 723-4204  
Customer Care: (800) 248-9826  
E-Mail: Sanjamar@sanjamar.com  
www.sanjamar.com

SAN JAMAR EUROPE, INC  
Schoorstraat 26A, Bus 1  
B-2220 Heist-Op-Den-Berg  
BELGIUM  
T: +32(0)1522 8140  
F: +32(0)1522 8148  
E-Mail: Sjeurope@sanjamar.com

SAN JAMAR Mexico, S de RL de CV  
Prolongación Av. San Antonio  
No. 135 col. San Pedro de los Pinos  
Delagación Alvaro Obregón  
C.P. 01180 en México, DF MEXICO  
T: +52 (55) 3626 0772  
F: +52 (55) 5273 4495  
E-Mail: sjmexico@sanjamar.com

# SAN JAMAR<sup>®</sup>

Smart ♦ Safe ♦ Sanitary

# TECHNICAL DATA SHEET

## Oceans® Tear-N-Dry



### Product Code: T1390

Molded of styrene and high impact polystyrene resin. One piece door construction. One piece back construction. Door is mounted to back with pivot posts and secured with replaceable locking fingers. Capacity 8" diameter, 8" wide hard wound roll towel.

**Installation:** Wall mounted

**Closure:** With lock

**Color:** Black Pearl, Arctic Blue

### Dimensions:

41.9 cm (L) x 29.8 cm (W) x 23.5 cm (D)

### Capacity:

(1) 20.3cm wide roll; 8" diameter and 4" stub roll

**Core Diameter:** 3.8cm

**Case Weight:** 6.0 lbs

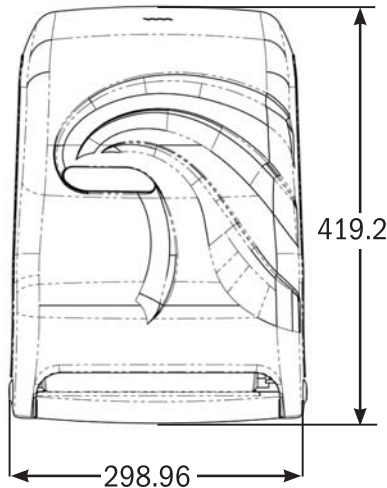
### Materials:

Base : break resistant plastic  
Cover: break resistant plastic

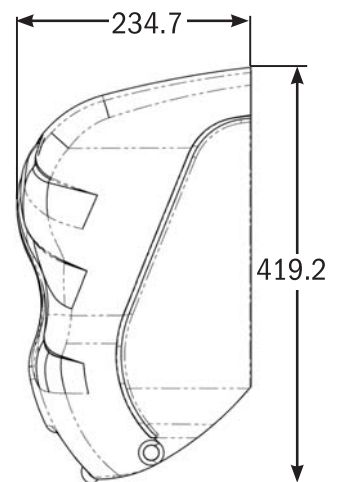
### Standard Product Codes:

T1390TBK, T1390TBL, T1390WS

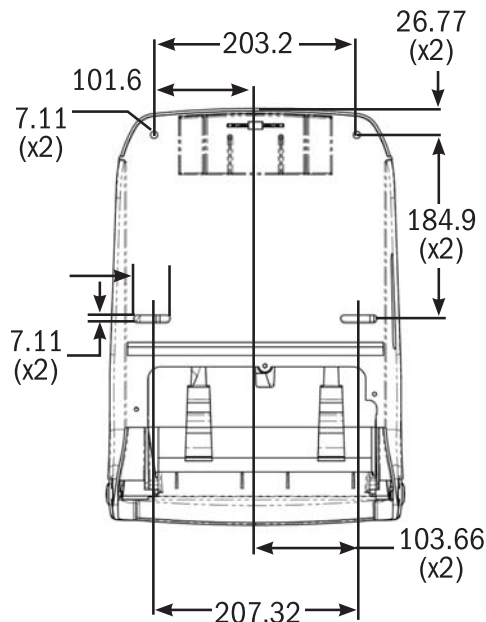
### FRONT (mm)



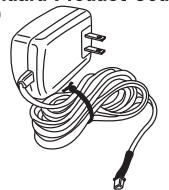
### SIDE (mm)



### BACK (mm)



### Optional AC Adapter Standard Product Code: XT50



SAN JAMAR  
555 Koopman Lane  
Elkhorn, Wisconsin 53121 USA  
T: (262) 723-6133  
F: (262) 723-4204  
Customer Care: (800) 248-9826  
E-Mail: Sanjamar@sanjamar.com  
www.sanjamar.com

SAN JAMAR EUROPE, INC  
Schoorstraat 26A, Bus 1  
B-2220 Heist-Op-Den-Berg  
BELGIUM  
T: +32(0)1522 8140  
F: +32(0)1522 8148  
E-Mail: Sjeurope@sanjamar.com

SAN JAMAR Mexico, S de RL de CV  
Prolongación Av. San Antonio  
No. 135 col. San Pedro de los Pinos  
Delagación Alvaro Obregón  
C.P. 01180 en México, DF MEXICO  
T: +52 (55) 3626 0772  
F: +52 (55) 5273 4495  
E-Mail: sjmexico@sanjamar.com

**SAN JAMAR**  
Smart ♦ Safe ♦ Sanitary