

TECHNICAL DATA SHEET

SMART SYSTEM
With **iQ Sensor™**

Electronic Touchless Roll Towel Dispenser



Product Code: T1400

- Universal Paper Dispensing: Dispenses any paper quality, including low basis weight/high absorbent paper.
- Dispenses (1) 8" rolls with 4 D-Size Batteries
- Default Setting: IQ Sensor with self-adjusting sensing field
- Dual Mode: IQ Sensor Mode or Towel Out Mode
- Controlled Usage
 - Programmable paper length
 - Programmable paper delay settings
- Battery options (D-Cell; alkaline) or AC Adapter available
- Battery usage 80 rolls of 800' tissue on 4D Cell batteries in Sensing Mode. Battery life only goes up when towel out mode is activated.
- Downloadable data usage to PDA to monitor paper usage
- Infinity® System: automatic transfer system to eliminate stub roll waste

Installation: Wall mounted

Closure: With lock

Color: Transparent Black Pearl (TBK)
Transparent Arctic Blue (TBL)
Opaque White/Clear (WHCL)

Product Dimensions:
16½" (L) x 11¾" (W) x 9¼" (D)

Capacity:
(1) 8" wide roll; 8.5" diameter and 4" stub roll

Min Core Diameter: 1.5"

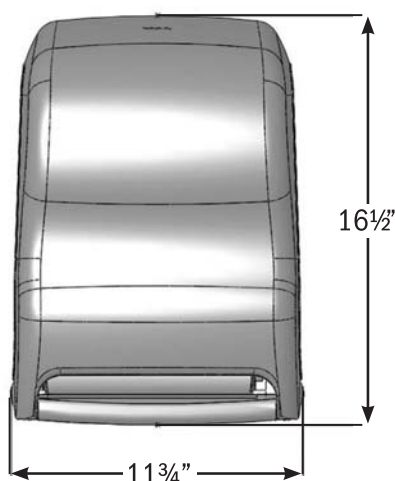
Case Weight: 8.0 lbs

Materials:
Base : break resistant plastic
Cover: break resistant plastic

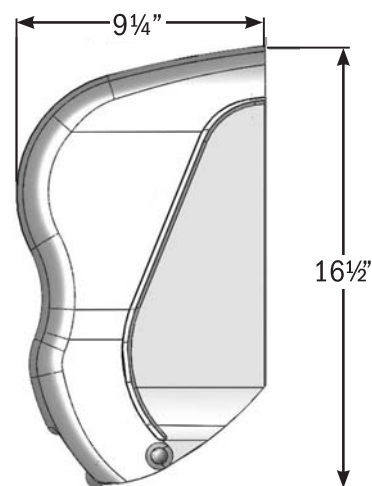
Standard Product Codes:
T1400TBK, T1400TBL, T1400WHCL

Features Also Available: (please call customer care)
2" Core Diameter Models
Replaceable Drive Module
Replaceable Covers
Replacement Keys and Lock Fingers

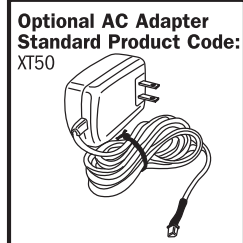
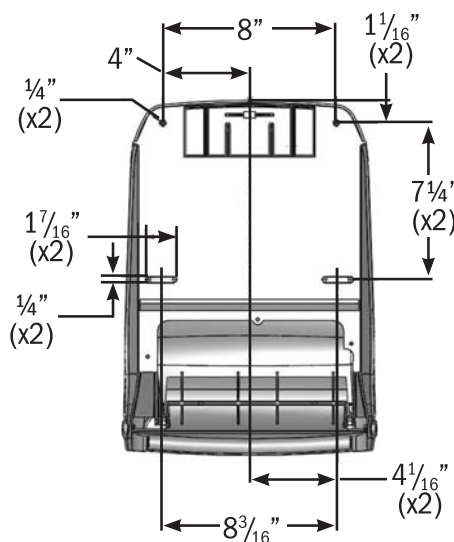
FRONT (inches)



SIDE (inches)



BACK (inches)



See next page for mm

SAN JAMAR
555 Koopman Lane
Elkhorn, Wisconsin 53121 USA
T: (262) 723-6133
F: (262) 723-4204
Customer Care: (800) 248-9826
E-Mail: Sanjamar@sanjamar.com
www.sanjamar.com

SAN JAMAR EUROPE, INC
Schoorstraat 26A, Bus 1
B-2220 Heist-Op-Den-Berg
BELGIUM
T: +32(0)1522 8140
F: +32(0)1522 8148
E-Mail: Sjeurope@sanjamar.com

SAN JAMAR Mexico, S de RL de CV
Prolongación Av. San Antonio
No. 135 col. San Pedro de los Pinos
Delagación Alvaro Obregón
C.P. 01180 en México, DF MEXICO
T: +52 (55) 3626 0772
F: +52 (55) 5273 4495
E-Mail: sjmexico@sanjamar.com

SAN JAMAR
Smart ♦ Safe ♦ Sanitary

TECHNICAL DATA SHEET



Electronic Touchless Roll Towel Dispenser

Product Code: T1400

- Universal Paper Dispensing: Dispenses any paper quality, including low basis weight/high absorbent paper.
- Dispenses (1) 20.3 cm rolls with 4 D-Size Batteries
- Default Setting: IQ Sensor with self-adjusting sensing field
- Dual Mode: IQ Sensor Mode or Towel Out Mode
- Controlled Usage
 - Programmable paper length
 - Programmable paper delay settings
- Battery options (D-Cell; alkaline) or AC Adapter available
- Battery usage 80 rolls of 800' tissue on 4D Cell batteries in Sensing Mode. Battery life only goes up when towel out mode is activated.
- Downloadable data usage to PDA to monitor paper usage
- Infinity® System: automatic transfer system to eliminate stub roll waste

Installation: Wall mounted

Closure: With lock

Color: Transparent Black Pearl (TBK)
Transparent Arctic Blue (TBL)
Opaque White/Clear (WHCL)

Product Dimensions:
41.9 cm (L) x 29.9 cm (W) x 23.5 cm (D)

Capacity:
(1) 20.3cm wide roll; 21.6cm diameter and 10.2cm stub roll

Min Core Diameter: 3.8cm

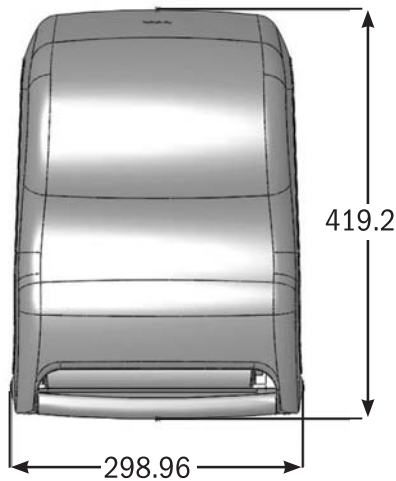
Case Weight: 3.63 kgs

Materials:
Base : break resistant plastic
Cover: break resistant plastic

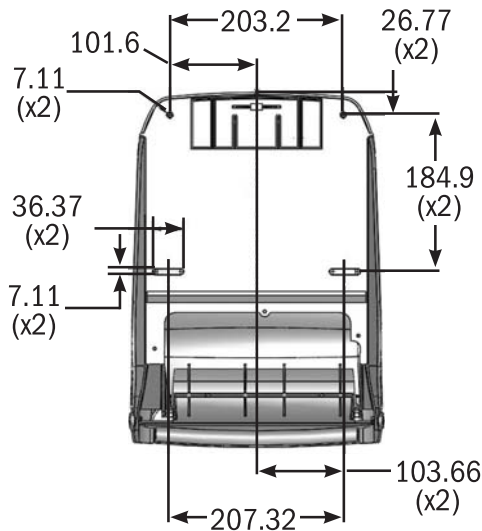
Standard Product Codes:
T1400TBK, T1400TBL, T1400WHCL

Features Also Available: (please call customer care)
2" Core Diameter Models
Replaceable Drive Module
Replaceable Covers
Replacement Keys and Lock Fingers

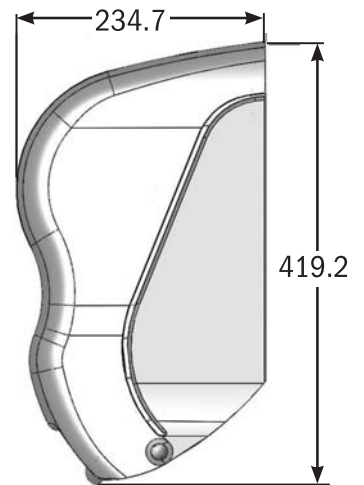
FRONT (mm)



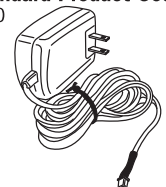
BACK (mm)



SIDE (mm)



Optional AC Adapter
Standard Product Code:
XT50



SAN JAMAR
555 Koopman Lane
Elkhorn, Wisconsin 53121 USA
T: (262) 723-6133
F: (262) 723-4204
Customer Care: (800) 248-9826
E-Mail: Sanjamar@sanjamar.com
www.sanjamar.com

SAN JAMAR EUROPE, INC
Schoorstraat 26A, Bus 1
B-2220 Heist-Op-Den-Berg
BELGIUM
T: +32(0)1522 8140
F: +32(0)1522 8148
E-Mail: Sjeurope@sanjamar.com

SAN JAMAR Mexico, S de RL de CV
Prolongación Av. San Antonio
No. 135 col. San Pedro de los Pinos
Delagación Alvaro Obregón
C.P. 01180 en México, DF MEXICO
T: +52 (55) 3626 0772
F: +52 (55) 5273 4495
E-Mail: sjmexico@sanjamar.com

SAN JAMAR
Smart ♦ Safe ♦ Sanitary