

TECHNICAL DATA SHEET

TEAR-N-DRY essence

Electronic Touchless Roll Towel Dispenser

**Product Code: T8000
T8090**

SIMPLE TO USE

No adjustments needed

UNIVERSAL

Dispenses any paper quality including 100% recycled paper

RELIABLE

Quick paper delivery

Consistently dispenses 10" length towel

Industry leading battery life

COMPACT

Up to 25% smaller than other leading electronic dispensers

Installation: Wall mounted

Closure: With lock

Color: Transparent Black Pearl (TBK)

Transparent Arctic Blue (TBL)

Opaque White with viewing window (WH)

Dimensions:

14.4 in (L) x 11.8 in (W) x 9.1 in (D)

Capacity:

(1) 8" wide roll; 8" diameter

Core Diameter: 1.5 in

Case Weight: 4.1 lbs

Materials:

Base: break resistant plastic

Cover: break resistant plastic

Standard Product Codes:

T8000TBK/TBL/WH, T8090TBK/TBL

Batteries Required:

Uses 4 D-Cell Alkaline Batteries

Features Also Available: (please call customer care)

Replaceable Covers

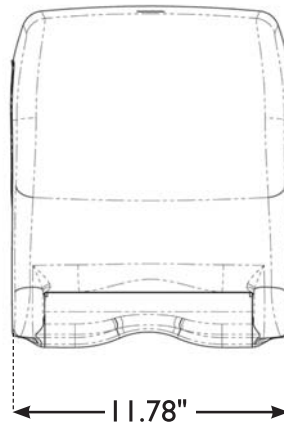
Replacement Keys and Lock Fingers

2" hub adapters (2) - X100960

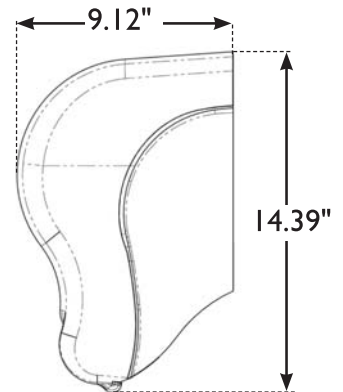
Mercury Free "Green" D-Cell Batteries (4 pk): XT100886



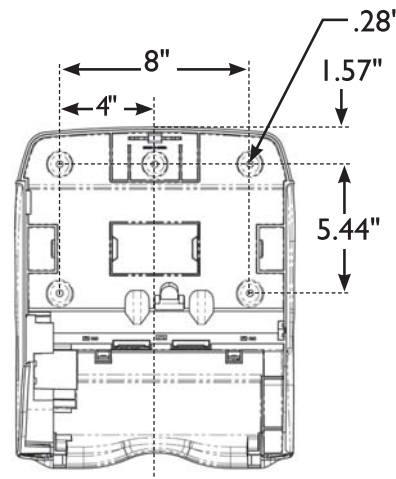
FRONT (inches)



SIDE (inches)



BACK (inches)



See Next Page for mm

San Jamar
555 Koopman Lane
Elkhorn, Wisconsin 53121
USA
T: +1.262.723.6133
F: +1.262.723.4204
info@sanjamar.com
www.sanjamar.com

San Jamar Canada
3300 Bloor Street West
Center Tower, 11th Floor
Suite 3140 Toronto, ON
M8X 2X3
CANADA
T: +1.416.760.7367
F: +1.416.207.2071
canada@sanjamar.com

San Jamar Europe
Schoorstraat 26a, bus 1
2220 Heist op-den Berg
BELGIUM
T: +32 1522 8140
F: +32 1522 8148
emea@sanjamar.com

San Jamar México
Av. Universidad #1377-701
Colonia Axotla CP 01030
Del. Alvaro Obregón
MEXICO, D.F.
T: +52 (55) 3626 0772
F: +52 (55) 5273 4495
mexico@sanjamar.com



TECHNICAL DATA SHEET

TEAR-N-DRY essence

Electronic Touchless Roll Towel Dispenser

**Product Code: T8000
T8090**

SIMPLE TO USE

No adjustments needed

UNIVERSAL

Dispenses any paper quality including 100% recycled paper

RELIABLE

Quick paper delivery

Consistently dispenses 10" length towel

Industry leading battery life

COMPACT

Up to 25% smaller than other leading electronic dispensers

Installation: Wall mounted

Closure: With lock

Color: Transparent Black Pearl (TBK)
Transparent Arctic Blue (TBL)
Opaque White with viewing window (WH)

Dimensions:

36.5 cm (L) x 29.9 cm (W) x 23.2 cm (D)

Capacity:

(1) 20cm wide roll; 20cm diameter

Core Diameter: 3.8cm

Case Weight: 1.9 kgs

Materials:

Base: break resistant plastic

Cover: break resistant plastic

Standard Product Codes:

T8000TBK/TBL/WH, T8090TBK/TBL

Batteries Required:

Uses 4 D-Cell Alkaline Batteries

Features Also Available: (please call customer care)

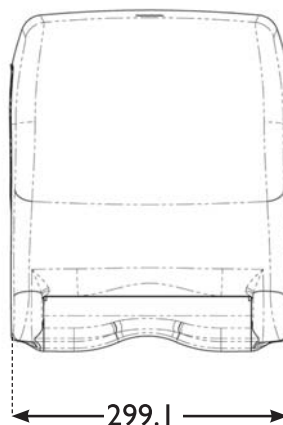
Replaceable Covers

Replacement Keys and Lock Fingers

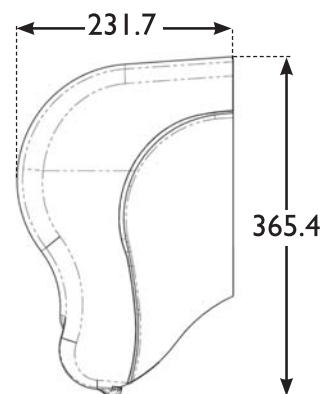
2" hub adapters (2) - X100960

Mercury Free "Green" D-Cell Batteries (4 pk): XT100886

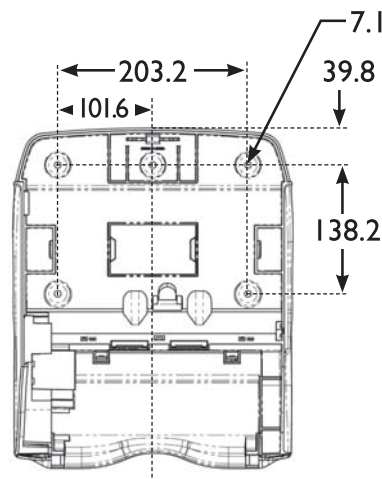
FRONT (mm)



SIDE (mm)



BACK (mm)



San Jamar
555 Koopman Lane
Elkhorn, Wisconsin 53121
USA
T: +1.262.723.6133
F: +1.262.723.4204
info@sanjamar.com
www.sanjamar.com

San Jamar Canada
3300 Bloor Street West
Center Tower, 11th Floor
Suite 3140 Toronto, ON
M8X 2X3
CANADA
T: +1.416.760.7367
F: +1.416.207.2071
canada@sanjamar.com

San Jamar Europe
Schoorstraat 26a, bus 1
2220 Heist op-den Berg
BELGIUM
T: +32 1522 8140
F: +32 1522 8148
emea@sanjamar.com

San Jamar México
Av. Universidad #1377-701
Colonia Axotla CP 01030
Del. Alvaro Obregón
MEXICO, D.F.
T: +52 (55) 3626 0772
F: +52 (55) 5273 4495
mexico@sanjamar.com

