

# Touch-Free Silver Dispenser Stand for Hand Sanitizer

**PRODUCT DESCRIPTION**

Stylish dispenser stands to promote hand sanitizing.

**SECTORS**

- Office & Facility
- Healthcare
- Public Facilities
- Industrial
- Food
- Hospitality
- Education

**TO BE USED WITH SCJ PROFESSIONAL TOUCH-FREE DISPENSERS:**

- TF2CHR
- TF2BLK
- TF2WHI
- TF2CLR

**PACK SIZES**

STOCK CODE	COLOR	QTY/CASE	CASE DIMENSIONS
TFDISPSTAND	Silver	1	2.95"x19.29"x27.95"

**FEATURES**

Easy to assemble (only three main parts, assembly tools included)

Optional signage to customize the header with your message or logos (template provided below)

Sturdy metal construction

Durable coating to protect against wear & tear

Use included silver metal catch tray or black/white plastic catch trays (sold separately)

Low profile base to maximize stability

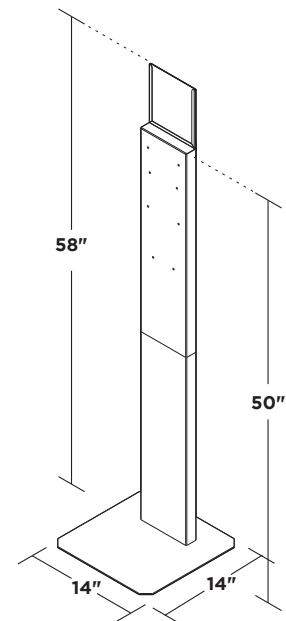
Lightweight and easy to carry when cleaning the facility

SC Johnson Professional dispenser sold separately



\*Dispensers sold separately

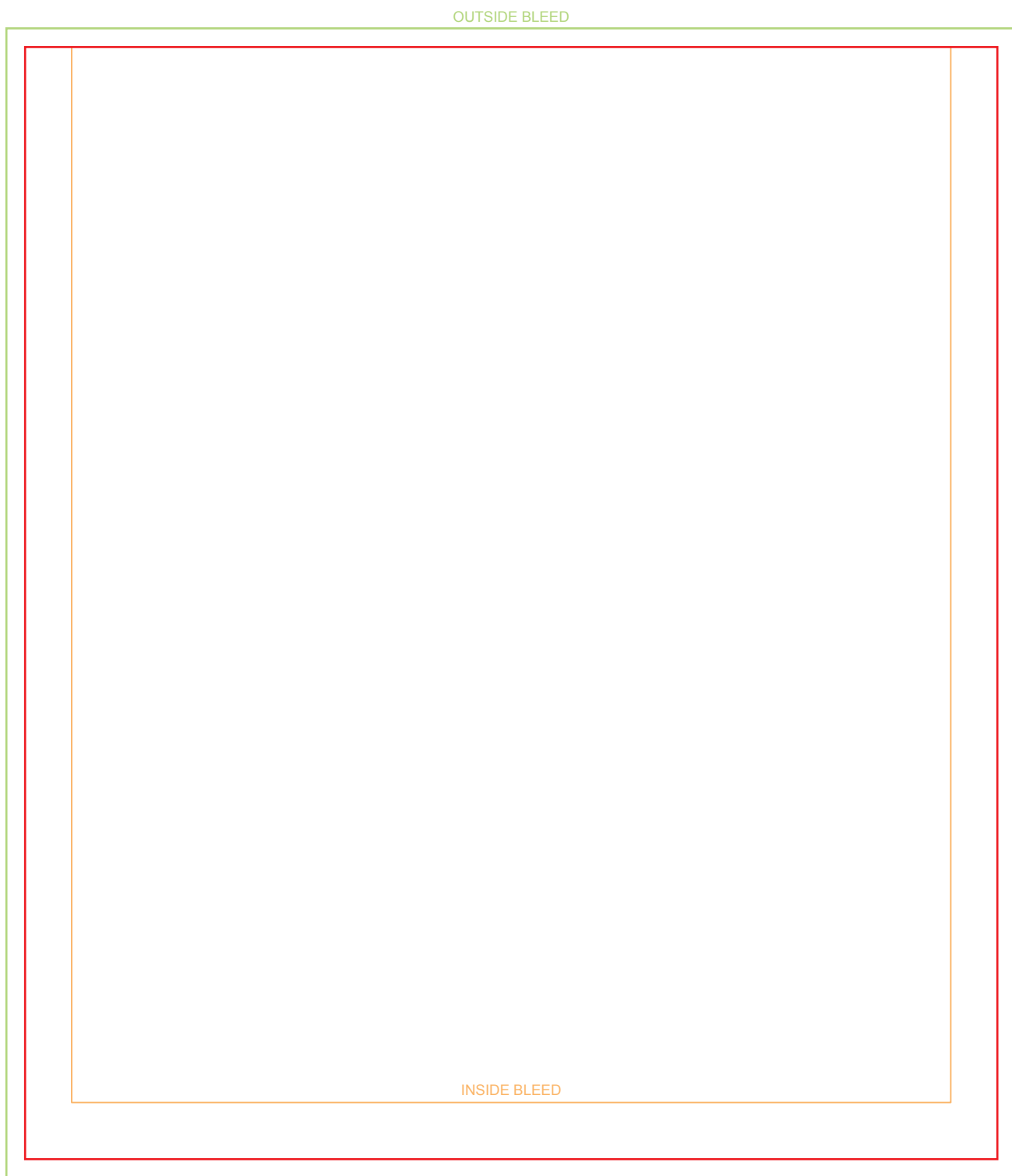
**TF Dispenser Stand Dimensions**



# Touch-Free Silver Dispenser Stand for Hand Sanitizer

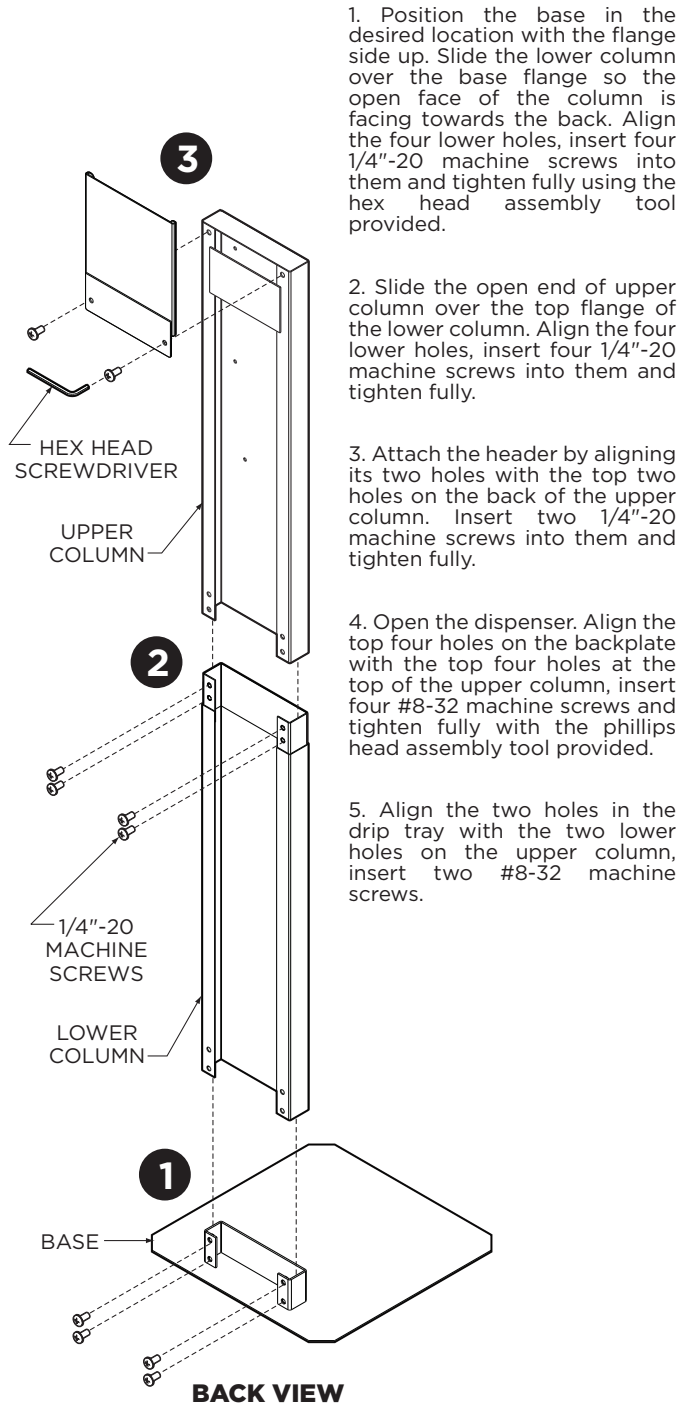
---

## DESIGN YOUR OWN HEADER TEMPLATE



# Touch-Free Silver Dispenser Stand for Hand Sanitizer

## SANITIZING STATION ASSEMBLY INSTRUCTIONS



1. Position the base in the desired location with the flange side up. Slide the lower column over the base flange so the open face of the column is facing towards the back. Align the four lower holes, insert four 1/4"-20 machine screws into them and tighten fully using the hex head assembly tool provided.

2. Slide the open end of upper column over the top flange of the lower column. Align the four lower holes, insert four 1/4"-20 machine screws into them and tighten fully.

3. Attach the header by aligning its two holes with the top two holes on the back of the upper column. Insert two 1/4"-20 machine screws into them and tighten fully.

4. Open the dispenser. Align the top four holes on the backplate with the top four holes at the top of the upper column, insert four #8-32 machine screws and tighten fully with the phillips head assembly tool provided.

5. Align the two holes in the drip tray with the two lower holes on the upper column, insert two #8-32 machine screws.

